



### Glass

6mm toughened outer / 16mm argon filled cavity / 6mm toughened inner with low e coating  
Available on request Low Iron Glass, Low Maintenance Coatings, Solar Control Coatings, IQ Heated Glass, Privacy Glass, Electro Chromic Glass, Coloured/Decorative Interlayer (available on small sizes), Acoustic Interlayer (available on small sizes), Anti Reflective Glass  
Glass thickness 21-37mm

### Opening Configurations

Available as

- Single/double vents
- Side Hung Windows, inward/outward opening
- Bottom Hung Windows
- Projected Top Hung Windows
- Side Hung Door
- Double Opening Side Hung Door

### Ironmongery

Handles a range of handle options available. See page 5

### Frame

Cold formed hot dip galvanized steel connected with high density cast polyurethane isolator  
Metal Galvanised Steel PPC any RAL colour  
Surrounding Vent + Frame Profile 57.5mm  
Door Base Frame 46.5mm  
Fixed Frame Profile 32mm  
Frame Depth 55.5mm  
Glazing Beads Aluminium / Galvanised Steel / Stainless Steel, available in a range of designs

### Maximum Size

See table, page 2

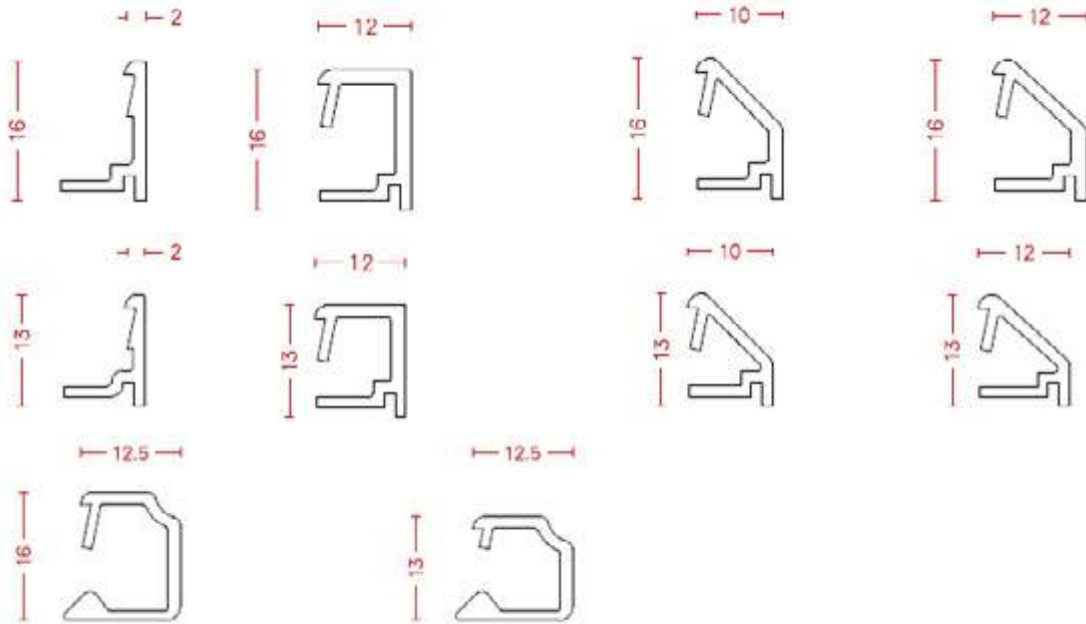
### Performance

Air Permeability up to Class 4 to EN12207  
Water Resistance up to 9A to EN12208  
Resistance to Wind Load up to C5 to EN12210  
Security up to RC2  
Thermal Performance Typical  $U_w$  value 1.5 W/m<sup>2</sup>K

Window Type	Max. tested size (WxH)	Air Permeability (EN12207)	Water Tightness (EN12208)	Resistance to Wind Load (EN12210)	Security Testing (EN1627)	Sound Insulation (ENISO10140)
Fixed	1500mm x 2200mm	Class 4	Class 7B	C5/2000Pa		up to Rw 41dB
Side Hung, Open in, Single Leaf	750mm x 2200mm	Class 4	Class 7B	C3/1200Pa		up to Rw 41dB
Side Hung, Open in, Double Leaf	1500mm x 2200mm	Class 4	Class 7B	C3/1200Pa		up to Rw 41dB
Side Hung, Open out, Single Leaf	850mm x 1700mm	Class 4	Class 9A	C5/2000Pa		up to Rw 41dB
Bottom Hung	750mm x 2200mm	Class 4	Class 7B	C3/1200Pa		up to Rw 41dB
Top Hung	850mm x 1700mm	Class 4	Class 9A	C5/2000Pa		up to Rw 41dB
Multilight Casement Window	1698mm x 1789mm	Class 3	Class 3A	A3		Rw 46 (-1;-5) dB
Door, Open out, Double Leaf	2100mm x 2400mm	Class 2		C2	RC2	up to Rw 41dB
Door, Open in, Double Leaf	2100mm x 2400mm	Class 2	Class 1A	C2	RC2	up to Rw 41dB

## Glazing Beads

### Aluminium



### Galvanised Steel / Stainless Steel

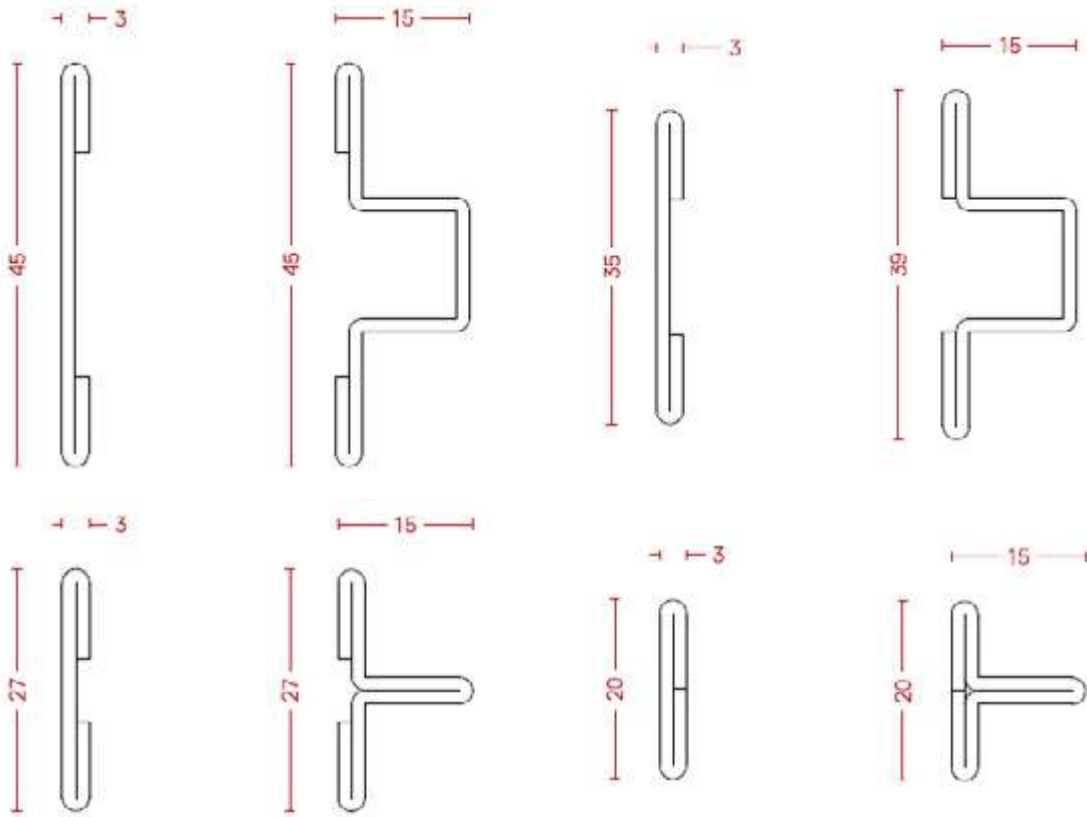


### Galvanised Steel

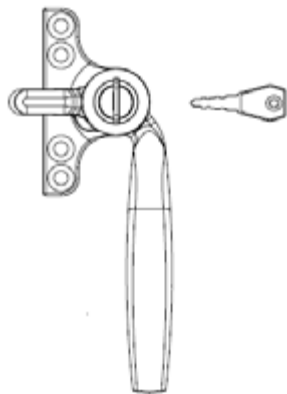


## Glazing Bars

### Galvanised Steel



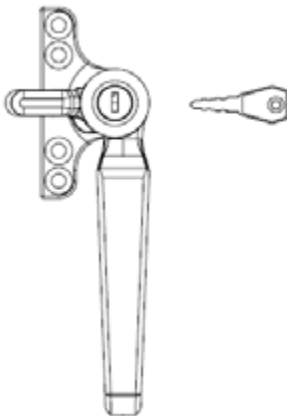
## Window Handles



Classic Handle with Key

Available in

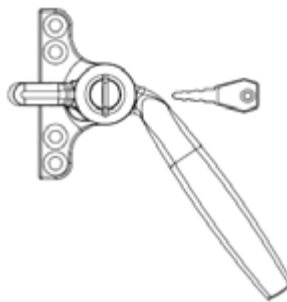
- Satin Chrome
- Brushed Copper
- Dark Bronze
- Gun Metal
- Antique Brass
- Matt Black
- Oil Rubbed Bronze



Inline Handle with Key

Available in

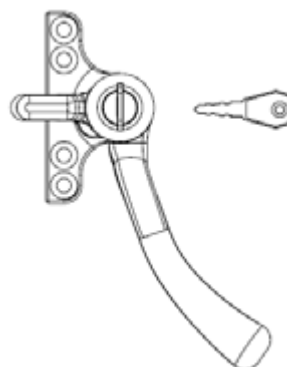
- Satin Chrome
- Brushed Copper
- Dark Bronze
- Gun Metal
- Antique Brass
- Matt Black
- Oil Rubbed Bronze



Angled Handle with Key

Available in

- Satin Chrome
- Brushed Copper
- Dark Bronze
- Gun Metal
- Antique Brass
- Matt Black
- Oil Rubbed Bronze



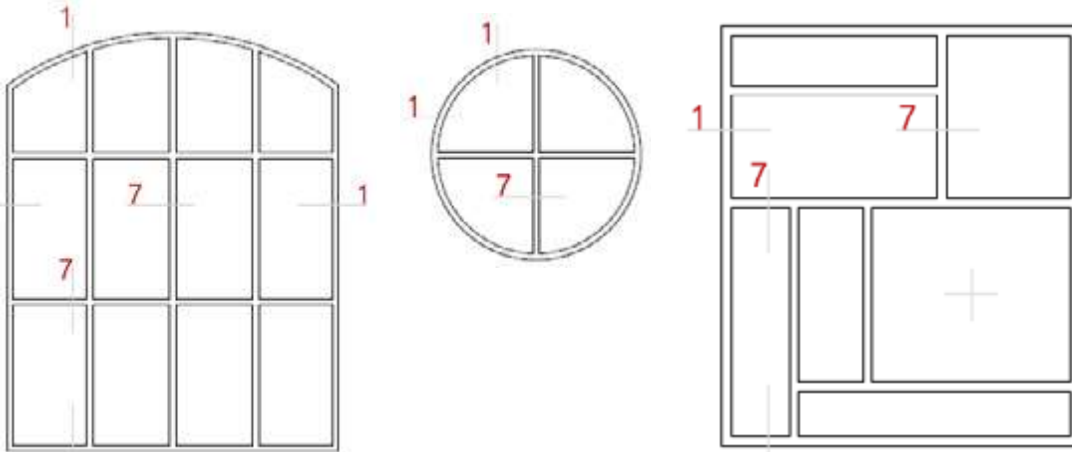
Sweeping Handle with Key

Available in

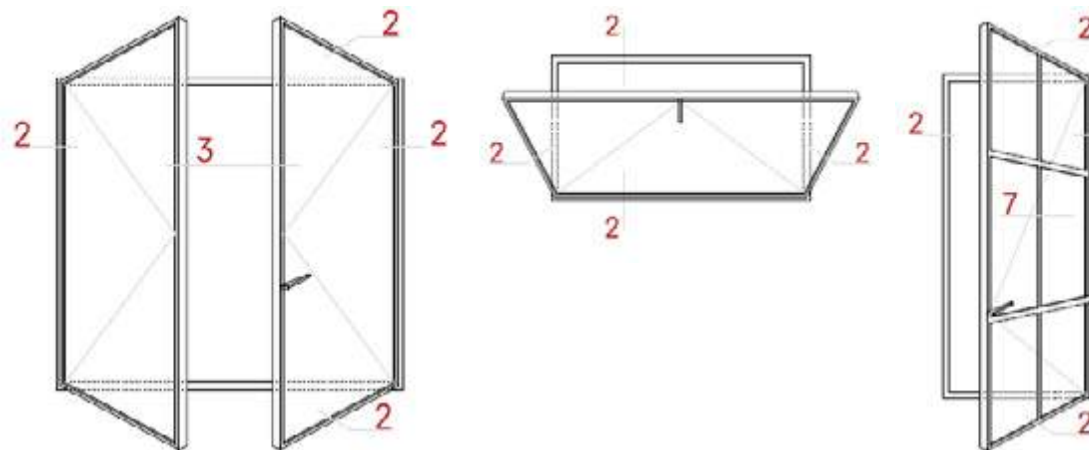
- Satin Chrome
- Brushed Copper
- Dark Bronze
- Gun Metal
- Antique Brass
- Matt Black
- Oil Rubbed Bronze

## Typical Details

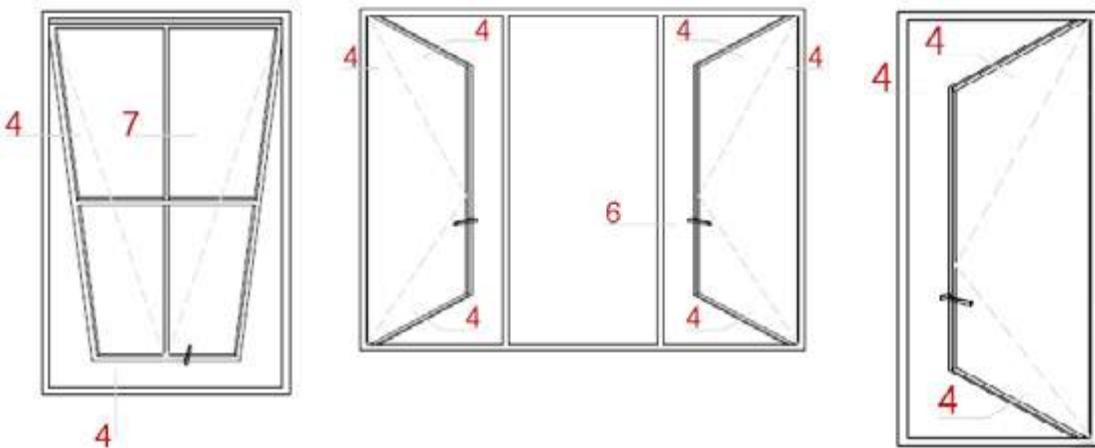
### Fixed Glazing



### Inward Opening

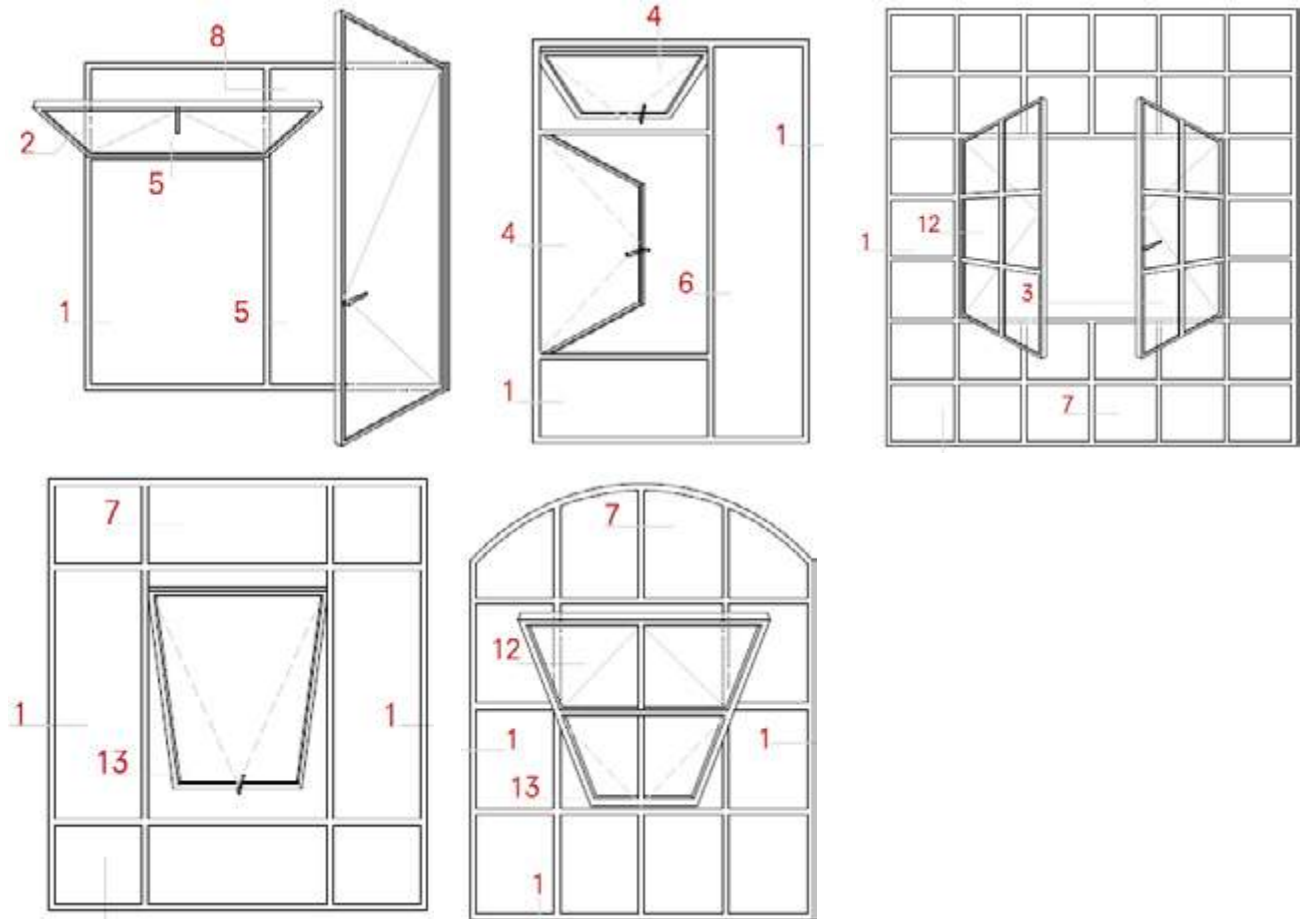


### Outward Opening



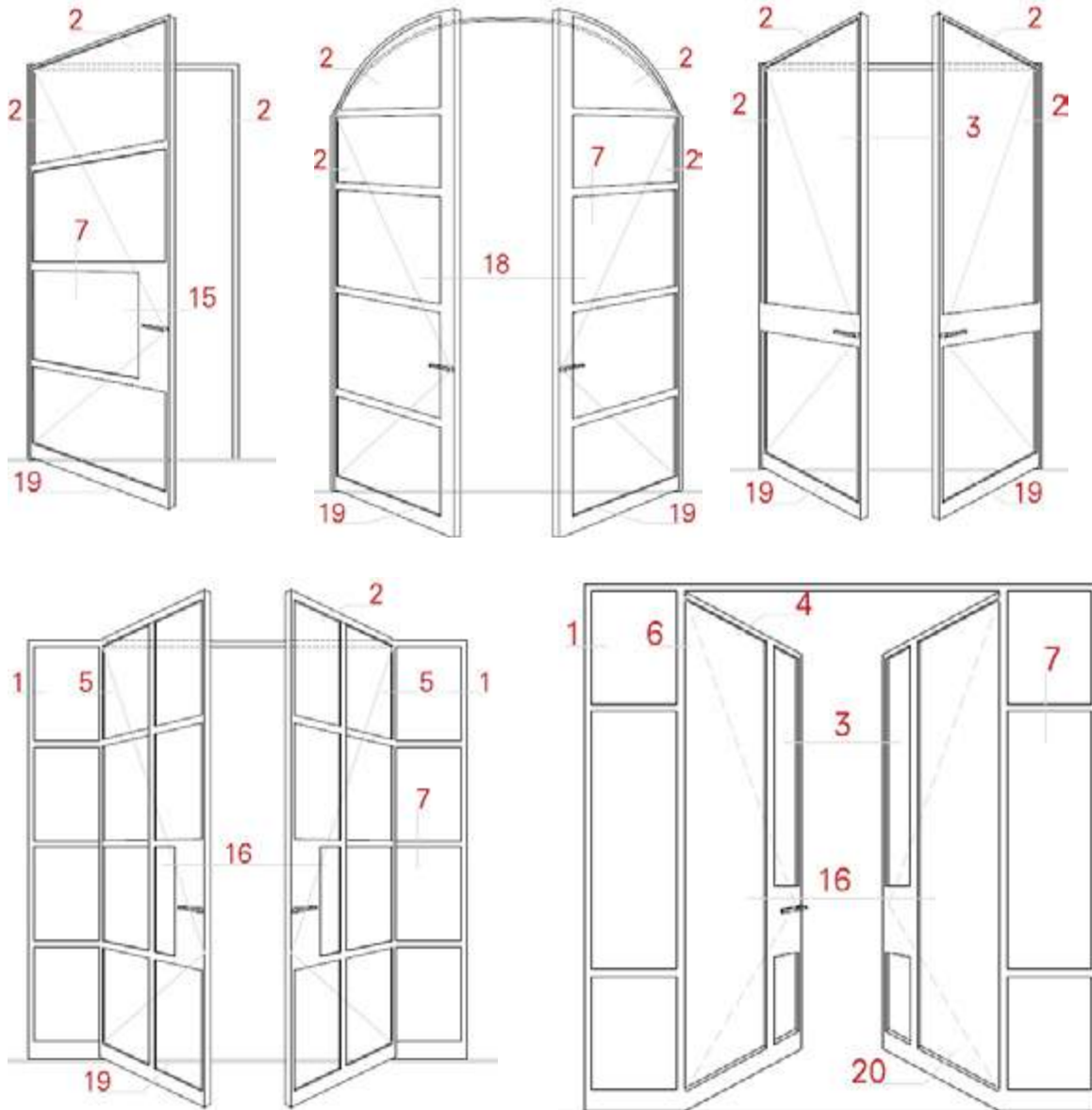
## Typical Opening Types

### Multilight Windows



## Typical Opening Types

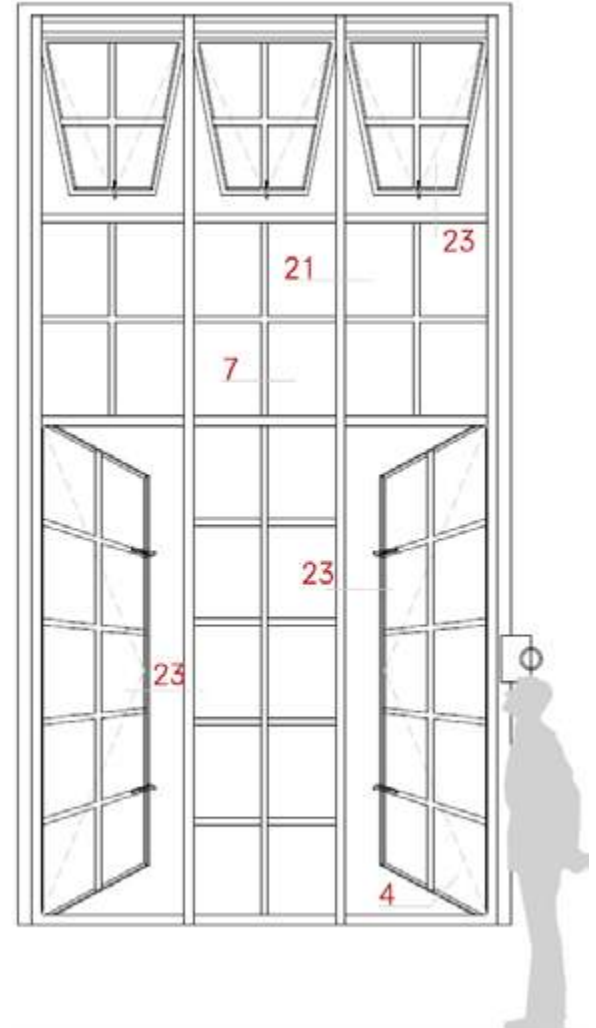
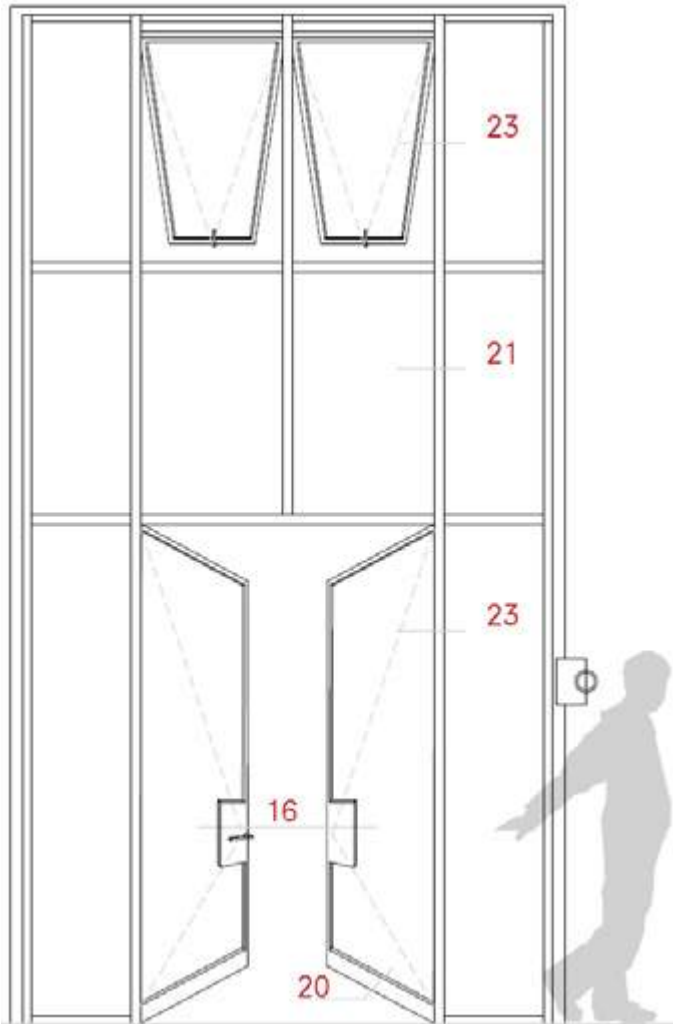
### Door Openings





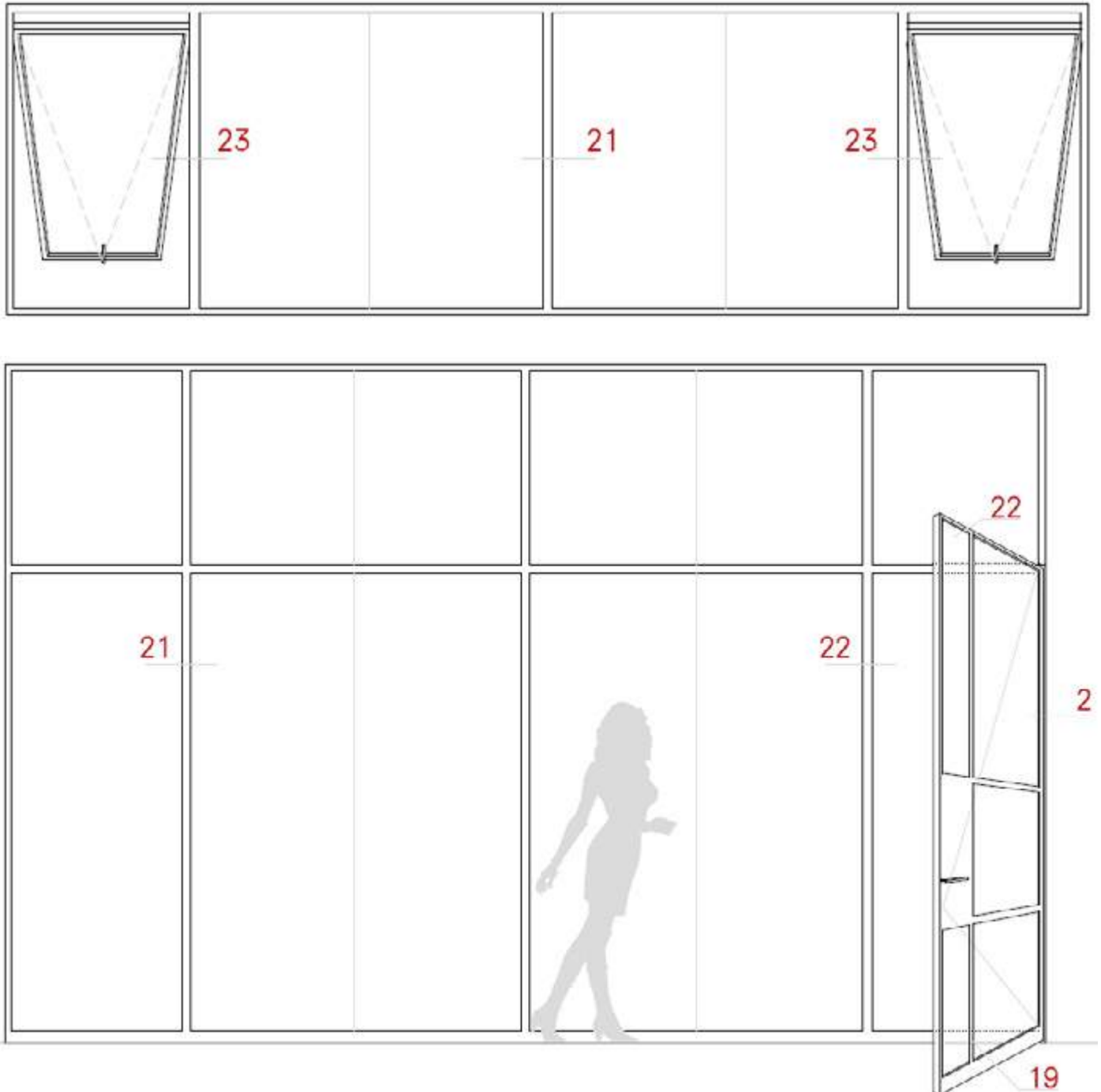
## Typical Opening Types

### Window and Door Openings

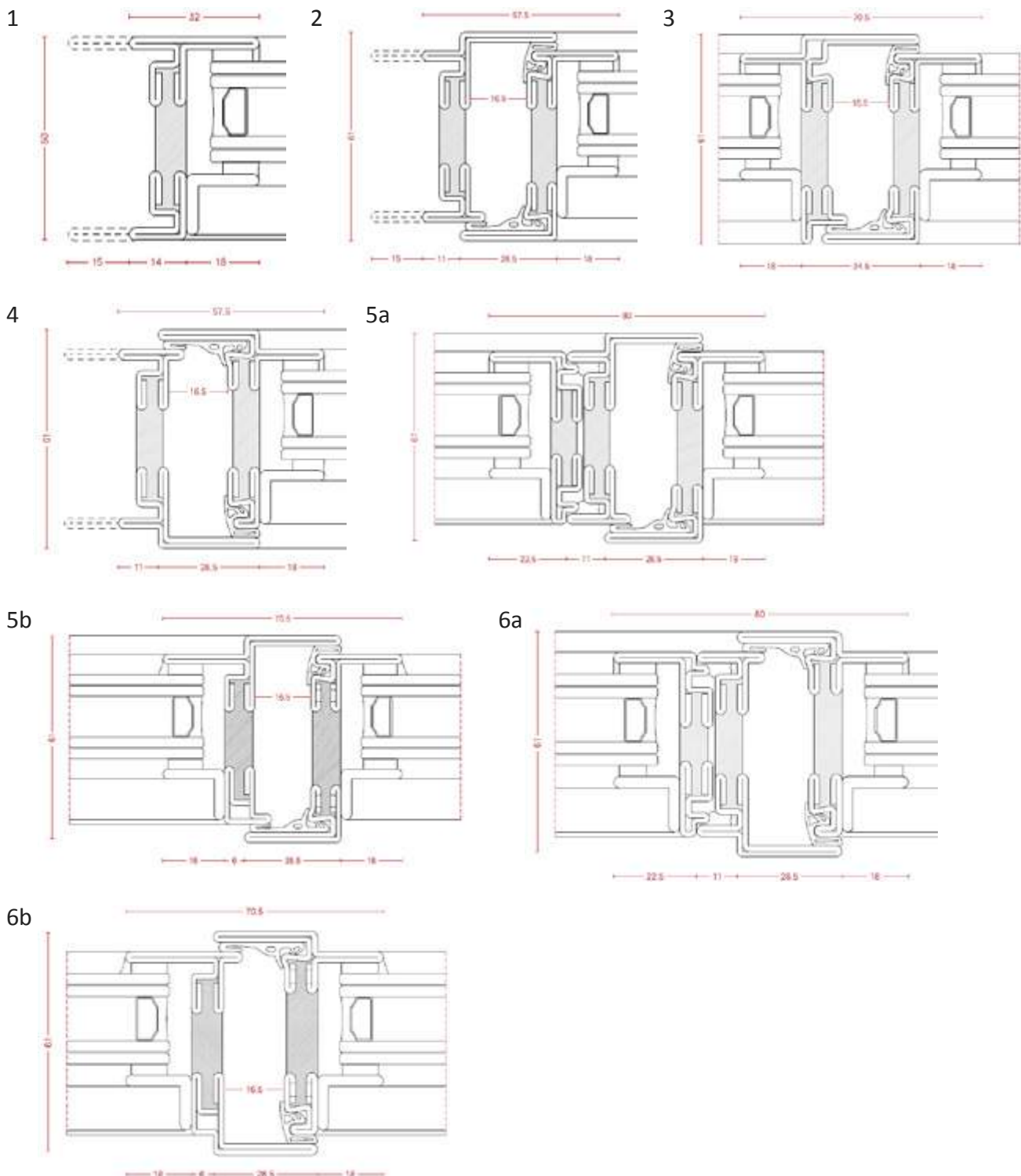


## Typical Opening Types

### Window and Door Openings

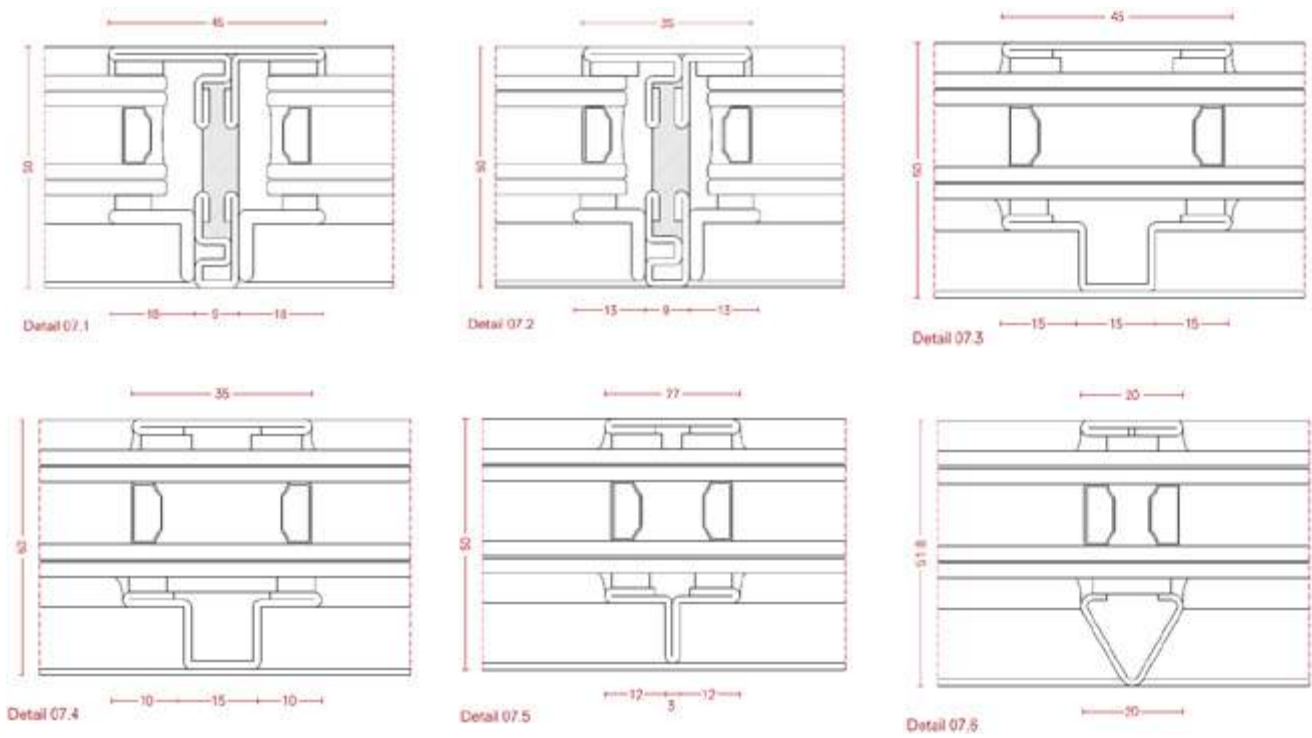


Typical Details

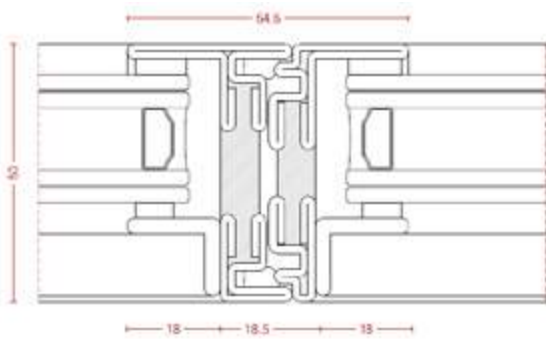


Typical Details

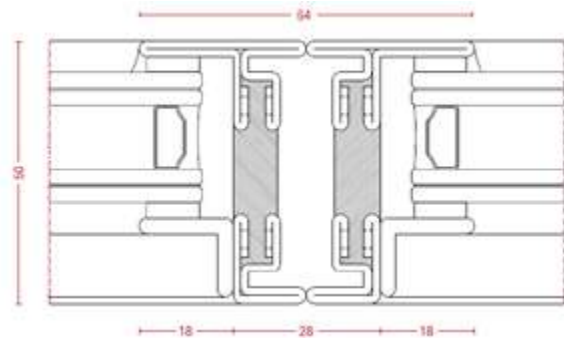
7



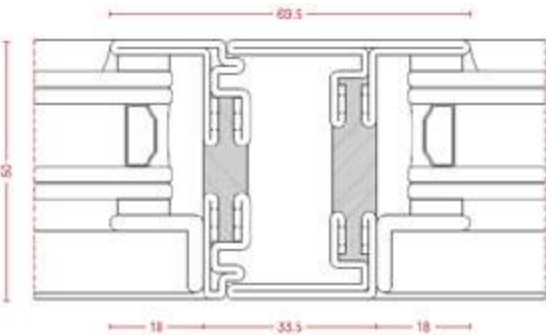
24a



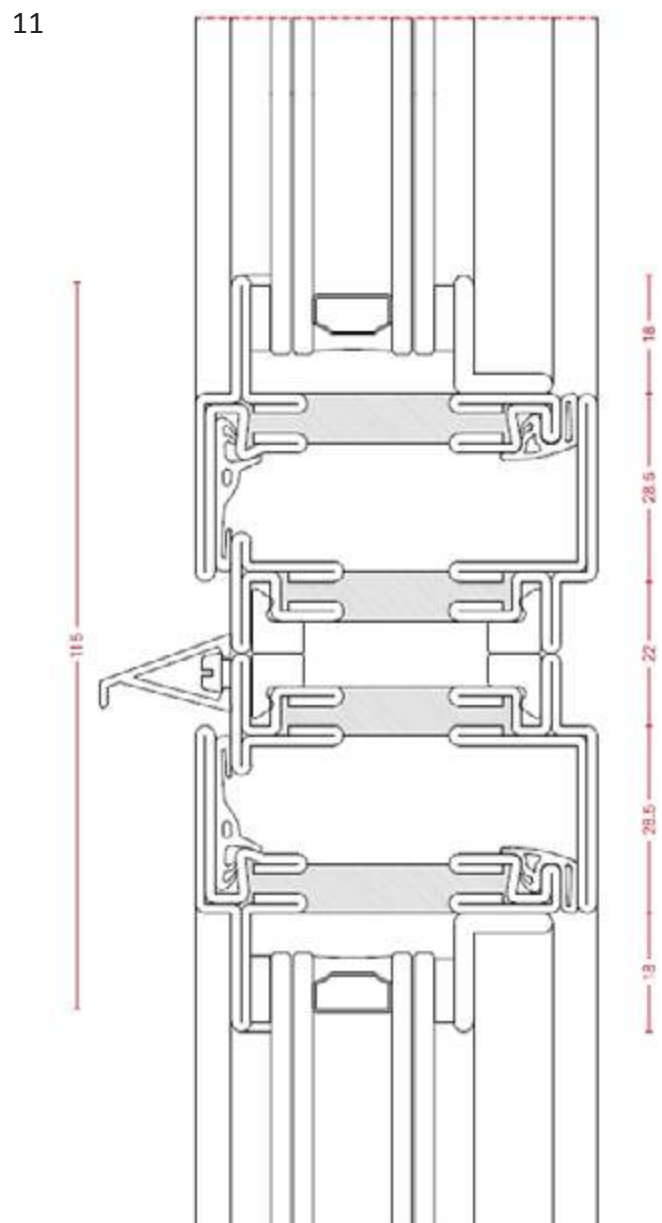
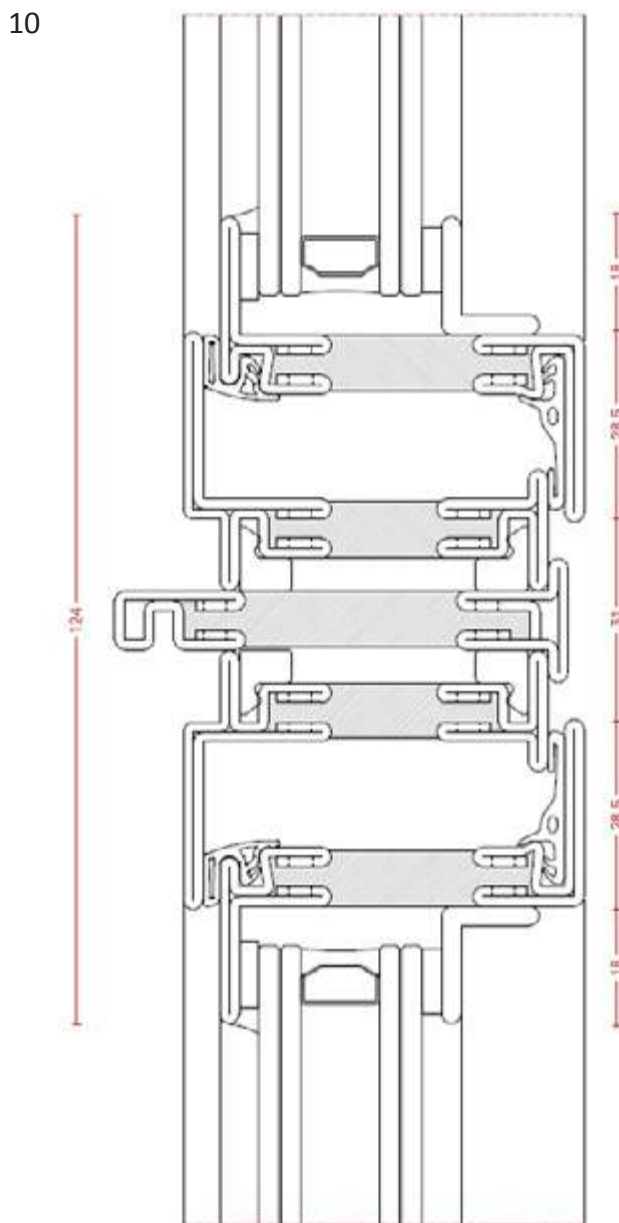
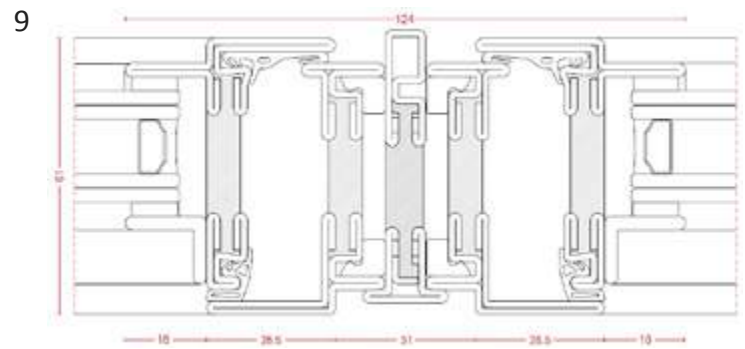
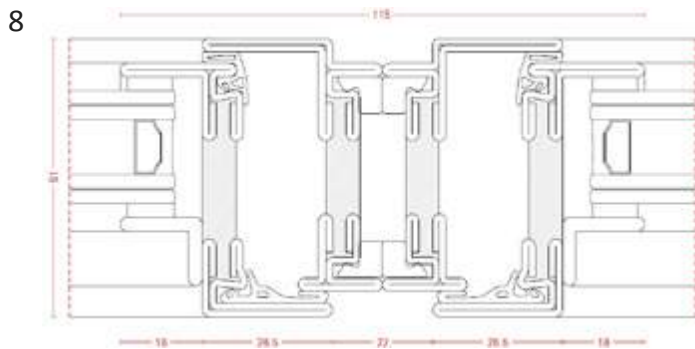
24b



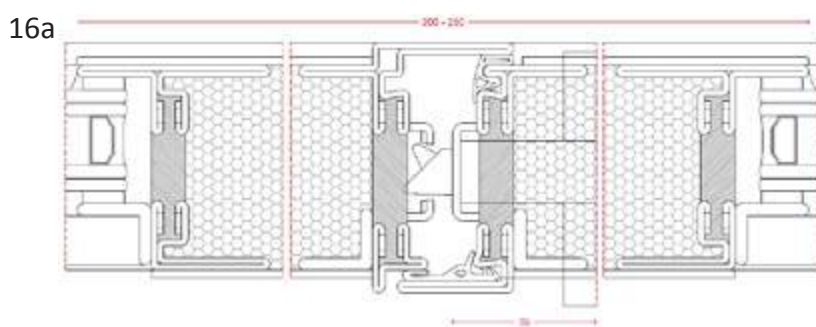
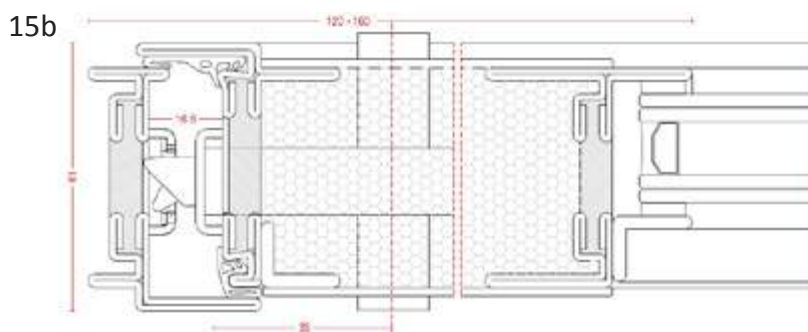
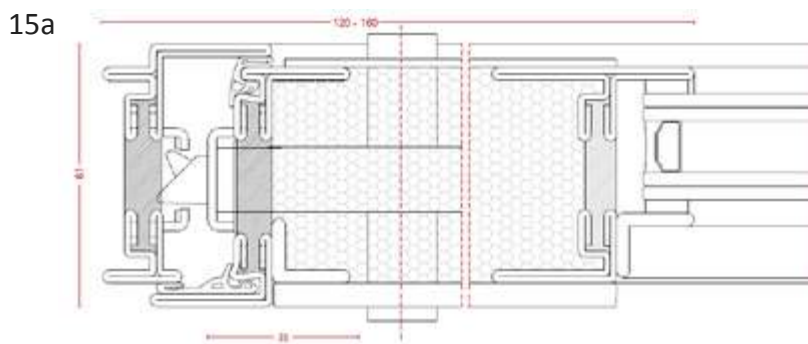
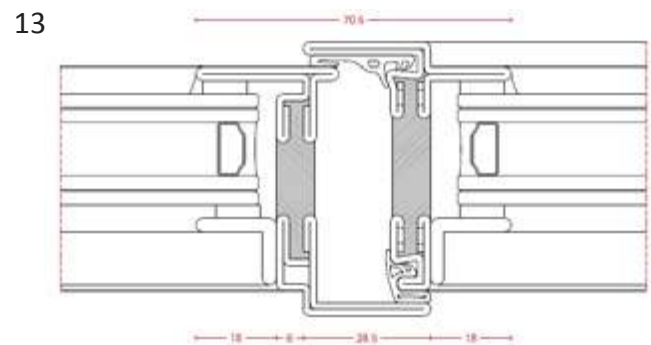
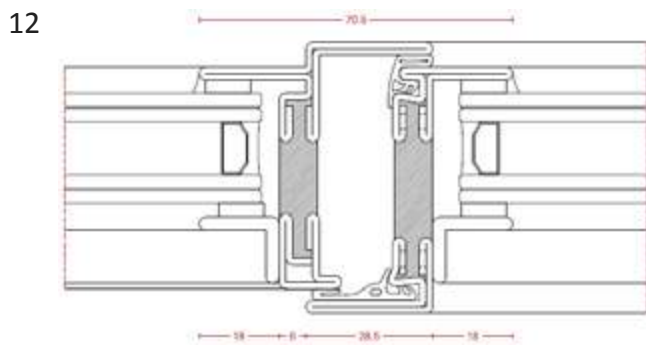
24c



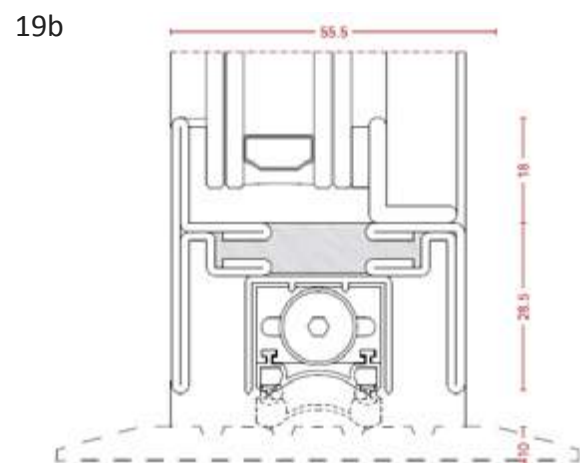
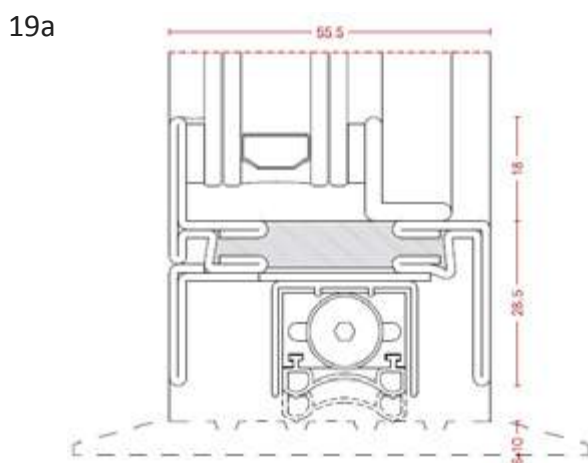
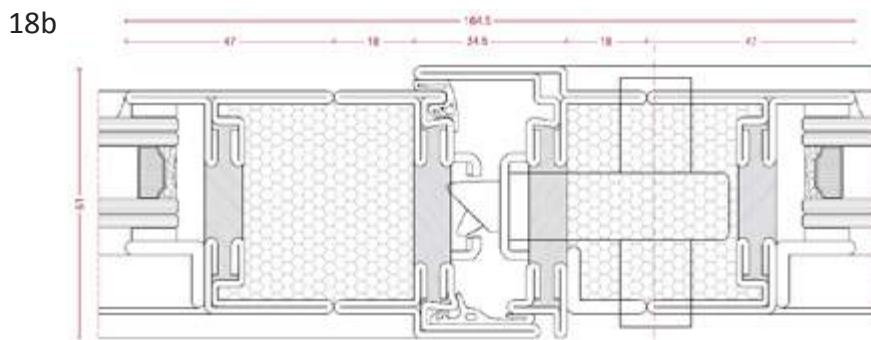
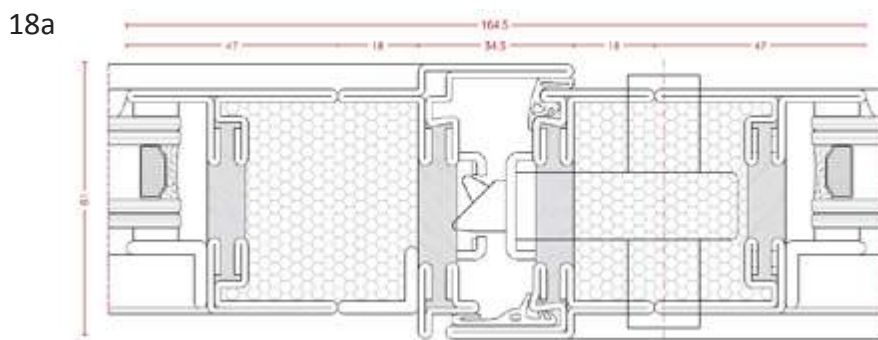
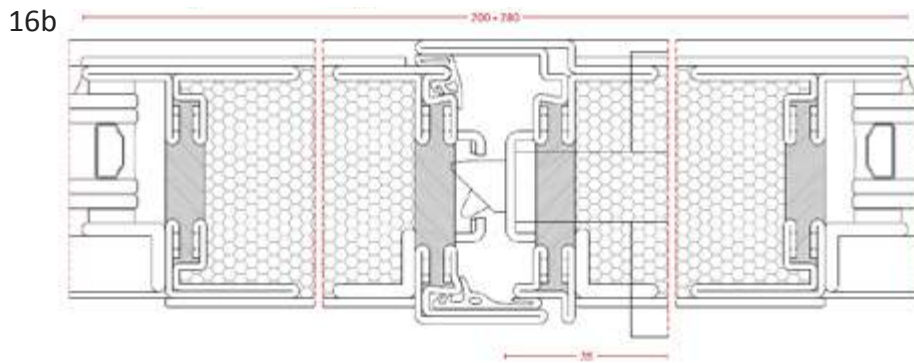
Typical Details



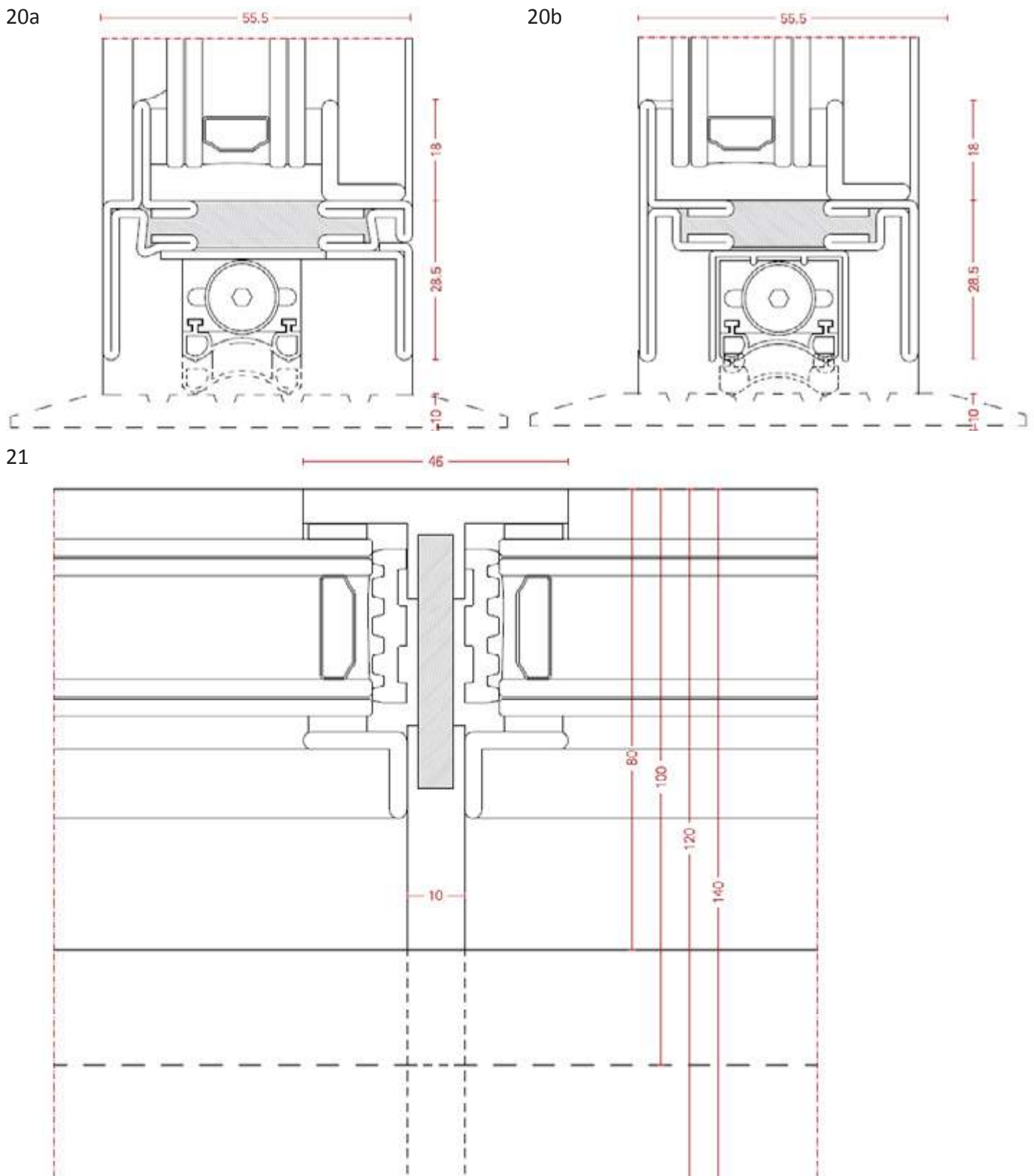
**Typical Details**



### Typical Details

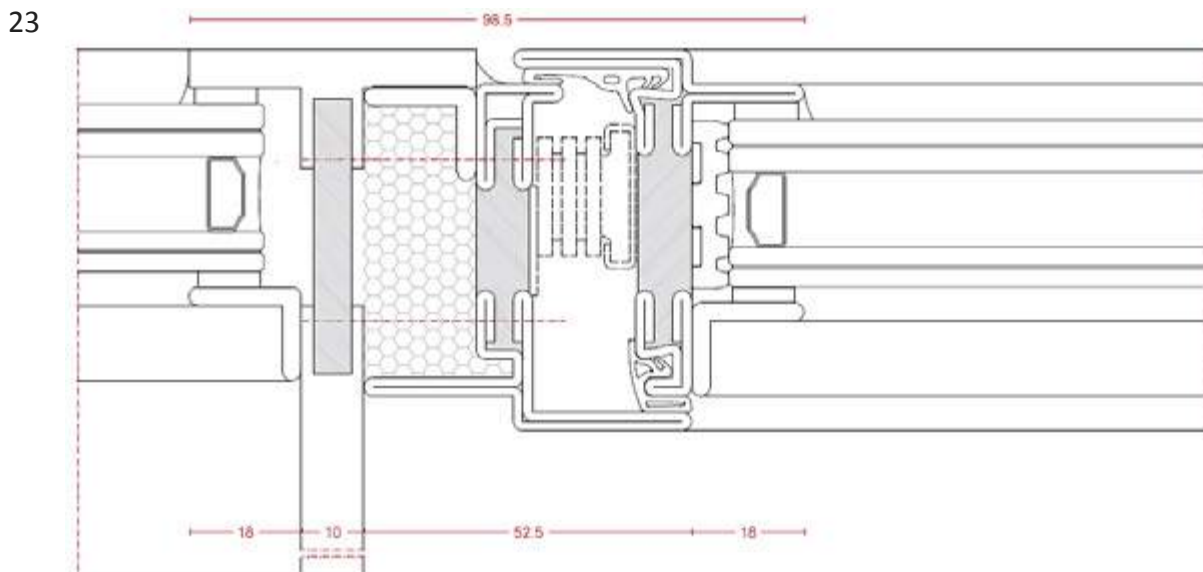
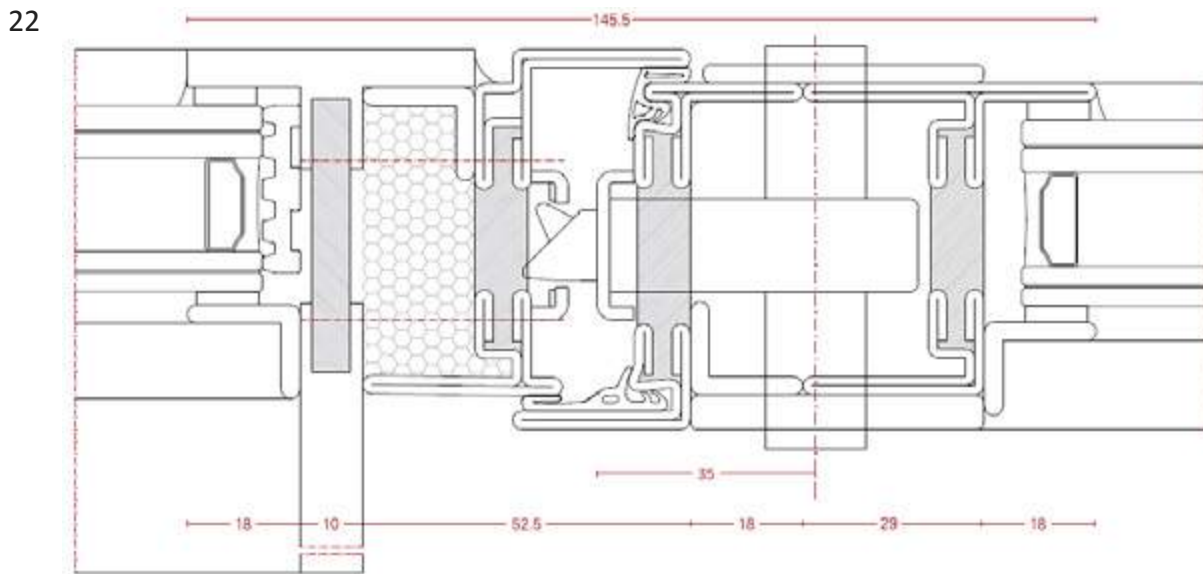


Typical Details





### Typical Details



## How to Specify a Mondrian System from IQ

Mondrian Windows and Doors are the first choice for architects and designers all over the UK looking for artisan steel design with modern performance values. If you would like to specify a Mondrian product on your project just speak to the team at IQ who would be happy to assist.

### Speak to the team at IQ

The team at IQ are the experts in our Mondrian product range. If you are considering using a Mondrian product on your project speak to the team at IQ who will be able to advise you on the best solution for your intended design, ensure that all specification criteria are met and advise you on any feasibility areas of the installation you may not have considered.

### Get a Quotation

We advise our customers to get a quotation for intended Mondrian installations from IQ. This allows us all to ensure that the preferred product and design is within budget. If it is not we can help you adjust the specification to reach all performance, design and budgetary requirements.

### Add us to your NBS Specification

To assist you in specification we have created individual NBS Specification sheets for each Mondrian product. These easy to navigate documents contain all the vital information needed for specification. They are available for you to complete on your own alternatively ask your sales representative at IQ to complete this on your behalf.

### Place the Order

When ready you (or your client or the builder) can then place the order for your Mondrian window or door with us. A full in-house handover will take place and your project will be passed to the contracts and design team. Once your project deposit is placed we will then undertake full design drawings for the Mondrian installation. Please allow at least 20 working days for the design process.

The project will be appointed a dedicated contracts manager who will oversee the installation process. The estimated lead time for Mondrian products is 6 to 14 weeks depending on system and material chosen. This may be more for specialist installations. This will be confirmed on order.

### Any Questions?

Contact the team at IQ who will be happy to help and to explore the Mondrian product range with you.